



Counter Top Coolers

CT-3

LARGE COUNTER TOP COOLER

- Durable Steel Cabinet
- Static Refrigeration With Internal Fan
- Low Energy Double Pane Tempered Glass Door
- Self Closing Door
- Illuminated Sign Header
- Dual Recessed Interior Lighting
- 3 Adjustable Shelves
- Eco Friendly R134A Refrigerant
- Custom Door Lock
- Exterior Thermostat Control



IN-HOUSE CUSTOM
GRAPHICS CAPABILITIES

CT-3

Specifications

Product Facings (estimated)

Per Shelf:

- Seven (7) of 2" Diameter Containers
- Five (5) of 2.5" Diameter Containers
- Four (4) of 3" Diameter Containers

Dimensions

- Packing: 20.35"W x 22.5"D x 37.5"H
- Exterior: 19.1"W x 21" x 36.5"H
- Net Wt: 82.2 Pounds
- Gross Wt: 92.61 Pounds

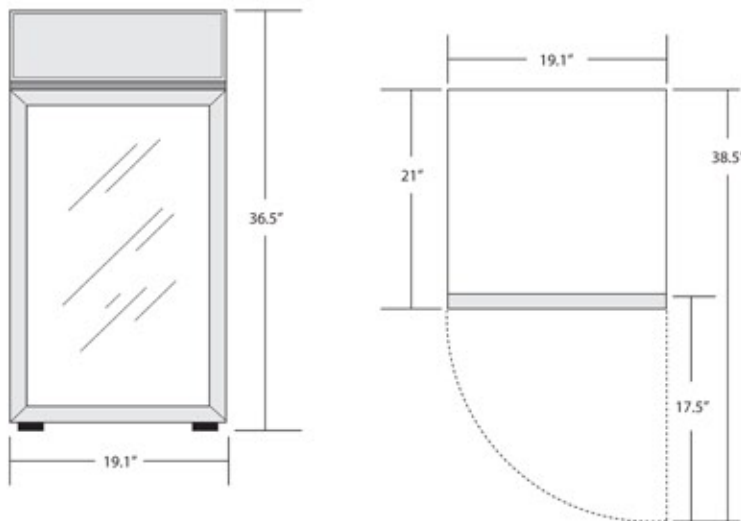
Truck Load

- 8 Per 40 x 48 Pallet
- 40'- 160 Units
- 53'-208 Units

Counter Top Cooler

- On Premise Merchandising
- Durable Steel Cabinet
- Quality Baked-on Paint Finish
- Low Energy Double Pane Tempered Glass Door
- Exterior Light Switch
- Self Closing Door
- Recessed Handle
- UL Listed
- Custom Door Lock
- Factory Engineered Refrigeration System
- Eco Friendly R134A Refrigerant
- Exterior Thermostat Control
- Illuminated Sign Header
- Dual Recessed Interior Lighting
- 3 Adjustable Shelves
- Coated Heavy Wire Construction Shelves
- Adjustable Levelers

Dimensions 19.1"W x 21" x 36.5"H



Interior Dimensions

14.75"W x 15"D x 23.5"H

Estimated Bottles / Cans Capacity

Bottle / Can Diameter

	2"	2.5"	3"	# Shelves
6"	147	90	60	3
6.5"	147	90	60	3
7"	147	90	60	3
7.5"	98	60	40	2
8"	98	60	40	2
8.5"	98	60	40	2
9"	98	60	40	2

WARRANTY: One Year Parts | 90 Days Labor **SPARE PARTS:** Inventoried